

PRODUCT SUMMARY

SKY13569-11: RX Diversity FEM with Gain (B28, B3, and B7)

Applications

- Antenna cable loss compensation circuit for LTE data antenna
- 3G/4G multimode cellular tablets and handsets (LTE, UMTS, CDMA2000, EDGE, and GSM)
- Embedded data cards

Features

- RX Diversity FEM with two selectable filters and LNA paths, optional bypass mode, and one AUX path (ANT to B28_OUT and B29_IN to RF_OUT)
- Low insertion loss thru path
- Integrated SAW filter and discrete LNA gain stage
- Frequency bands:
 - B28 (758 to 803 MHz)
 - B3 (1805 to 1880 MHz)
 - B7 (2620 to 2690 MHz)
- Integrated GPIO interface
- Small (4 x 3 x 0.8 mm) 17-lead MCM package (MSL3, 260 °C per JEDEC J-STD-020)



Skyworks Green™ products are compliant with all applicable legislation and are halogen-free. For additional information, refer to *Skyworks Definition of Green™*, document number SQ04-0074.

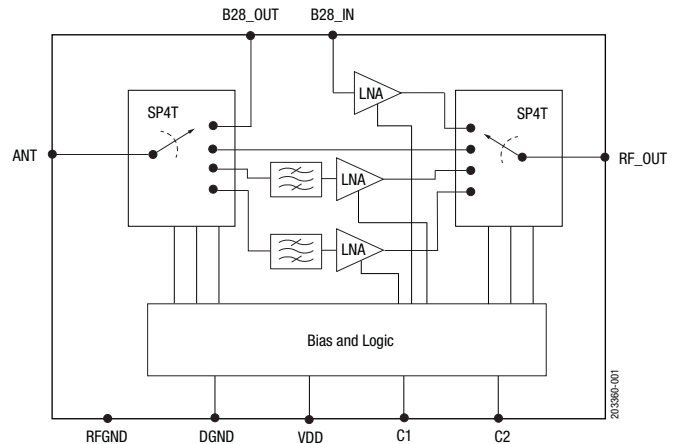


Figure 1. SKY13569-11 Block Diagram

Description

The SKY13569-11 is an RX front-end module (FEM) combining two SP4T switches (input and output switch) with four paths (Bypass, B28, B3, and B7). The detail is shown in Figure 1. Each path is GPIO selectable with two control lines.

Using advanced switching technology, the SKY13569-11 maintains low insertion loss in the thru path and high isolation between paths when RX filtering and gain stages are selected. Integrated LNAs provide cable loss compensation to overcome path loss from the antenna to the transceiver.

The SKY13569-11 is packaged in a small 4 x 3 x 0.8 mm 17-lead surface mount package. No external DC blocking capacitors are required on the RF paths as long as no DC voltage is applied. The switch can operate over the temperature range of -35°C to +90 °C.

A functional block diagram is shown in Figure 1.

Ordering Information

Model Name	Manufacturing Part Number	Evaluation Board Part Number
SKY13569-11: RX Diversity FEM	SKY13569-11	SKY13569-11-EVB

Copyright © 2014, 2017 Skyworks Solutions, Inc. All Rights Reserved.

Information in this document is provided in connection with Skyworks Solutions, Inc. ("Skyworks") products or services. These materials, including the information contained herein, are provided by Skyworks as a service to its customers and may be used for informational purposes only by the customer. Skyworks assumes no responsibility for errors or omissions in these materials or the information contained herein. Skyworks may change its documentation, products, services, specifications or product descriptions at any time, without notice. Skyworks makes no commitment to update the materials or information and shall have no responsibility whatsoever for conflicts, incompatibilities, or other difficulties arising from any future changes.

No license, whether express, implied, by estoppel or otherwise, is granted to any intellectual property rights by this document. Skyworks assumes no liability for any materials, products or information provided hereunder, including the sale, distribution, reproduction or use of Skyworks products, information or materials, except as may be provided in Skyworks Terms and Conditions of Sale.

THE MATERIALS, PRODUCTS AND INFORMATION ARE PROVIDED "AS IS" WITHOUT WARRANTY OF ANY KIND, WHETHER EXPRESS, IMPLIED, STATUTORY, OR OTHERWISE, INCLUDING FITNESS FOR A PARTICULAR PURPOSE OR USE, MERCHANTABILITY, PERFORMANCE, QUALITY OR NON-INFRINGEMENT OF ANY INTELLECTUAL PROPERTY RIGHT; ALL SUCH WARRANTIES ARE HEREBY EXPRESSLY DISCLAIMED. SKYWORKS DOES NOT WARRANT THE ACCURACY OR COMPLETENESS OF THE INFORMATION, TEXT, GRAPHICS OR OTHER ITEMS CONTAINED WITHIN THESE MATERIALS. SKYWORKS SHALL NOT BE LIABLE FOR ANY DAMAGES, INCLUDING BUT NOT LIMITED TO ANY SPECIAL, INDIRECT, INCIDENTAL, STATUTORY, OR CONSEQUENTIAL DAMAGES, INCLUDING WITHOUT LIMITATION, LOST REVENUES OR LOST PROFITS THAT MAY RESULT FROM THE USE OF THE MATERIALS OR INFORMATION, WHETHER OR NOT THE RECIPIENT OF MATERIALS HAS BEEN ADVISED OF THE POSSIBILITY OF SUCH DAMAGE.

Skyworks products are not intended for use in medical, lifesaving or life-sustaining applications, or other equipment in which the failure of the Skyworks products could lead to personal injury, death, physical or environmental damage. Skyworks customers using or selling Skyworks products for use in such applications do so at their own risk and agree to fully indemnify Skyworks for any damages resulting from such improper use or sale.

Customers are responsible for their products and applications using Skyworks products, which may deviate from published specifications as a result of design defects, errors, or operation of products outside of published parameters or design specifications. Customers should include design and operating safeguards to minimize these and other risks. Skyworks assumes no liability for applications assistance, customer product design, or damage to any equipment resulting from the use of Skyworks products outside of stated published specifications or parameters.

Skyworks and the Skyworks symbol are trademarks or registered trademarks of Skyworks Solutions, Inc., in the United States and other countries. Third-party brands and names are for identification purposes only, and are the property of their respective owners. Additional information, including relevant terms and conditions, posted at www.skyworksinc.com, are incorporated by reference.